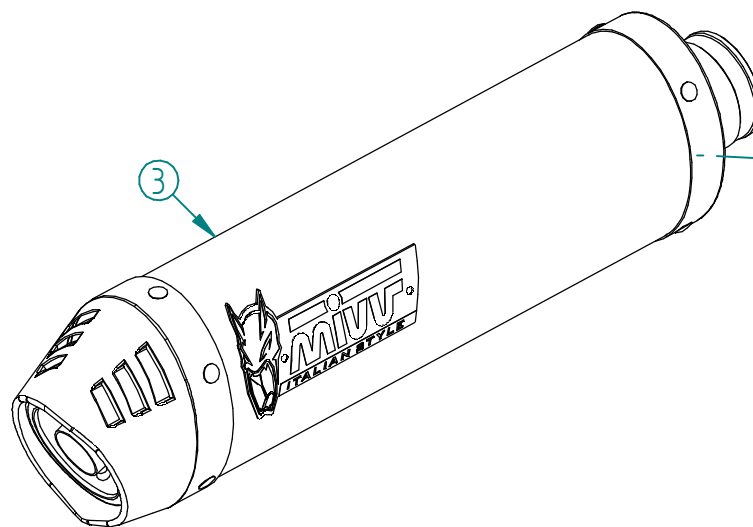
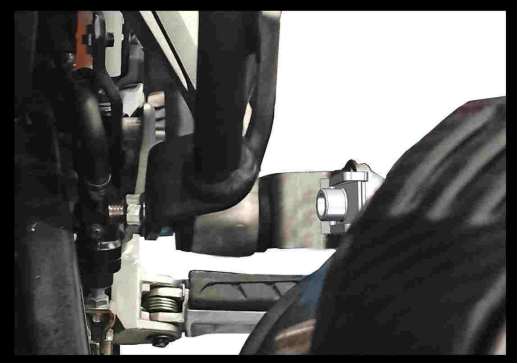
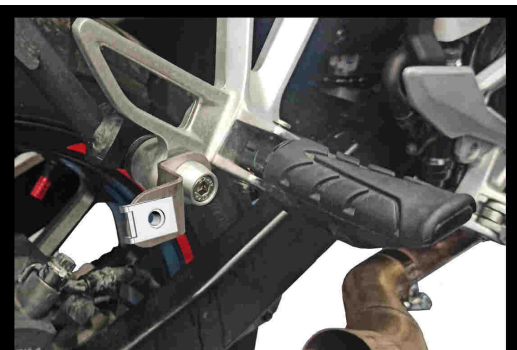
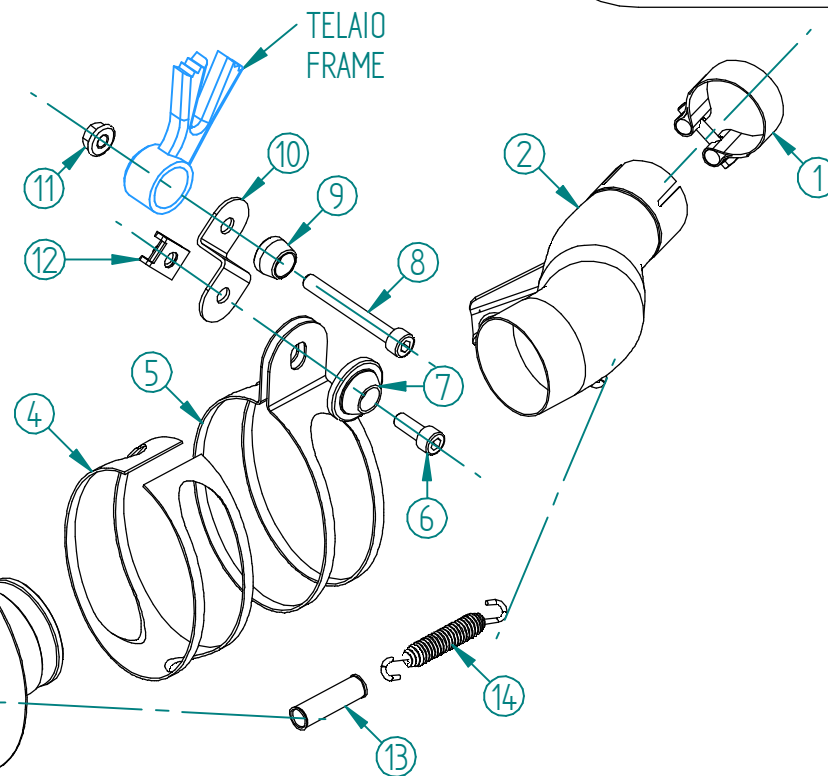


#	DESCRIPTION	PART NUMBER	QTY
1	Fascetta Ø 44/47 mm / Pipe clamp Ø 44/47 mm	50.FA.006.1	1
2	Tubo di raccordo / Link pipe	9773H06252	1
3	Silenziatore / Muffler L.360 db killer 50.DK.092.0	OVAL CARBON CAP	1
4	Protezione in gomma per staffa / Rubber protection for bracket	50.73.077.1	1
5	Staffa / Bracket	50.SS.030.0	1
6	Vite M8x20 / Screw M8x20	50.73.894.1	1
7	Rondella in alluminio / Aluminium washer	50.73.063.1	1
8	Vite M8x65 / Screw M8x65	50.73.603.1	1
9	Rondella in alluminio / Aluminium washer	50.73.248.1	1
10	Staffa / Bracket	50.SS.009.0	1
11	Dado M8 flangiato / Flanged nut M8	50.73.393.1	1
12	Dado rapido M8 / Cage nut M8	50.73.913.1	1
13	Gommino per molla / Rubber pipe	50.73.210.1	1
14	Molla lunga / Long spring	50.71.080.1	1



APPLICAZIONI / APPLICATIONS

CODICE / CODE	SILENZIATORE / MUFFLER	TUBO / PIPE	FASCETTA / CLAMP
H.084.L3C	CARBONIO (COPPA CARBONIO) / CARBON (CARBON CAP)	INOX / ST. STEEL	INOX / ST. STEEL