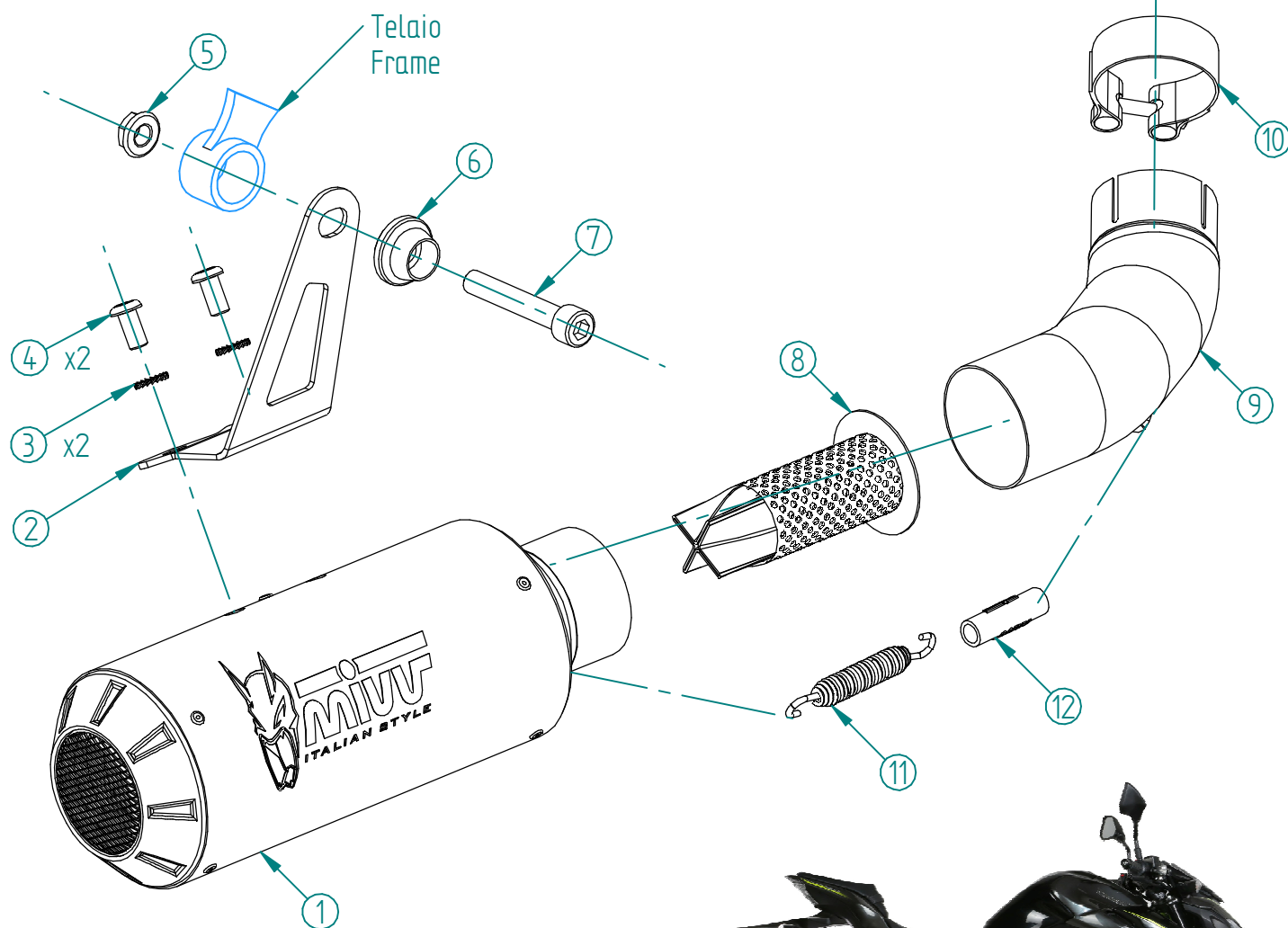
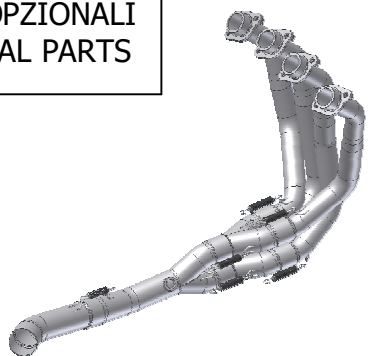


#	DESCRIPTION	PART NUMBER	QTY
1	Silenziatore / Muffler	MK3 Ø155	1
2	Staffa / Bracket	50.SS.1117.0	1
3	Rondella di sicurezza / Safety washer	50.73.604.1	2
4	Vite M8 x 16 / Screw M8 x 16	50.73.098.1	2
5	Dado M10 flangiato / Flanged nut M10	50.73.332.1	1
6	Rondella in alluminio nera / Black aluminium washer	50.73.330.1	1
7	Vite M10x60 / Screw M10x60	50.73.135.1	1
8	dB Killer	50.DK.082.0	1
9	Tubo di raccordo / Link pipe	9773K045S2	1
10	Fascetta Ø 52/55 mm / Pipe clamp Ø 52/55 mm	50.FA.008.1	1
11	Molla lunga / Long spring	50.71.080.1	1
12	Tubo in gomma per molla / Rubber pipe for spring	50.73.210.1	1



### PARTI OPZIONALI OPTIONAL PARTS



IMPIANTO ELIMINA KAT / NO KAT PIPE  
**00.73.K.045.C2**  
( 2017 - 2024 )



COVER IN ACCIAIO / STEEL COVER  
**50.CR.037.0**

APPLICAZIONI / APPLICATIONS			
CODICE / CODE	SILENZIATORE / MUFFLER	LOGO	TUBO / PIPE
K.056.LM3B	STEEL BLACK	LASER	INOX / ST. STEEL
K.056.LM3C	CARBONIO / CARBON FIBER	ETICHETTA ALLUMINIO / ALUMINIUM LABEL	
K.056.LM3X	INOX / ST. STEEL	LASER	

