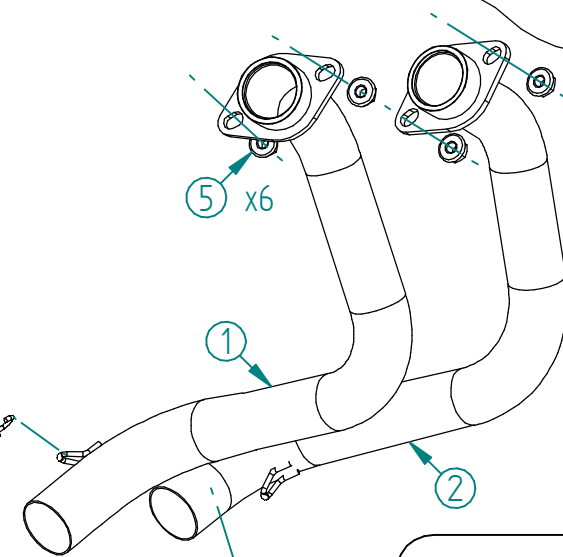
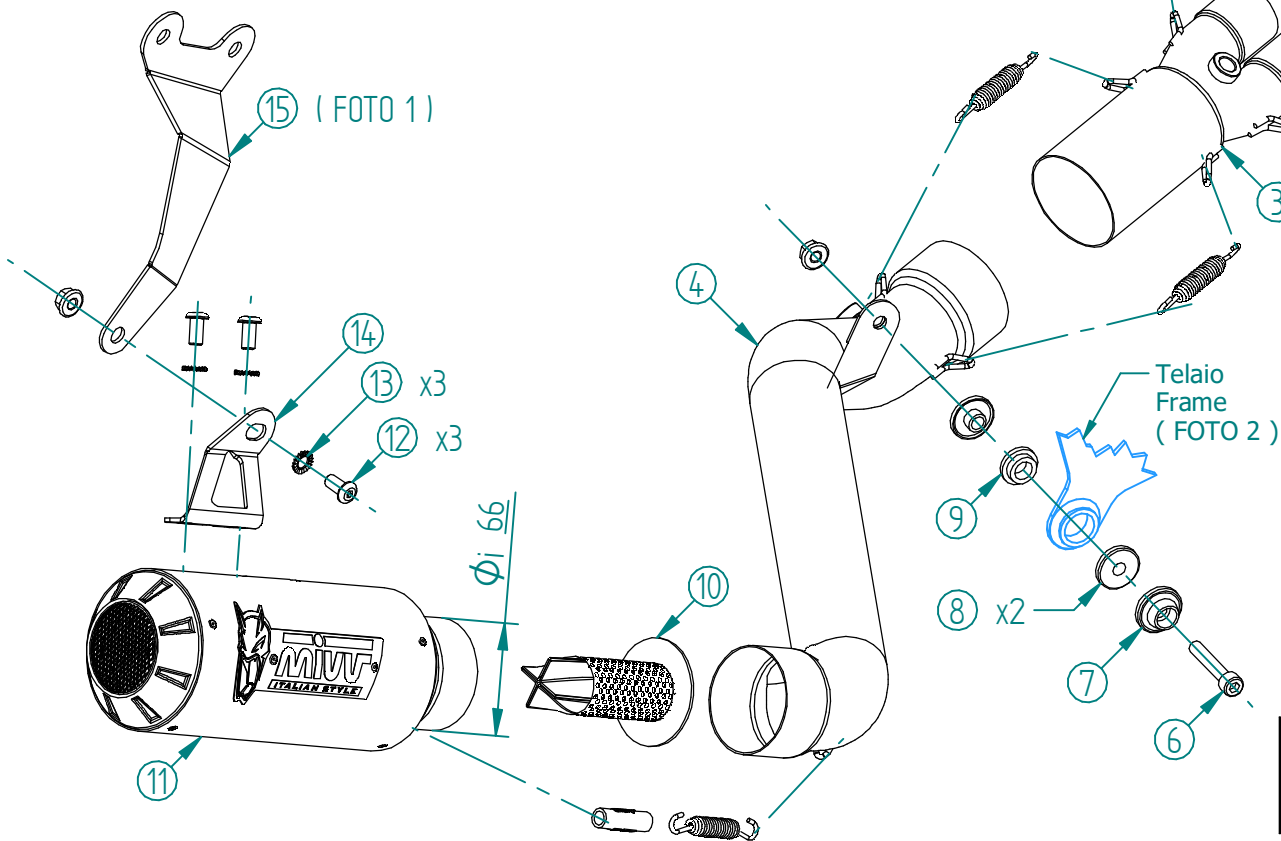


FOTO 1



FOTO 2

#	DESCRIPTION	PART NUMBER	QTY
1	Collettore #1 / Down pipe #1	9773K044S2A	1
2	Collettore #2 / Down pipe #2	9773K044S2B	1
3	Tubo di raccordo 2-1 / Link pipe 2-1	9773K057S2C	1
4	Tubo di raccordo / Link pipe	9773K058S2D	1
5	Dado M8 flangiato / Flanged nut M8	50.73.393.1	6
6	Vite M8x45 / Screw M8x45	50.73.602.1	1
7	Rondella in alluminio nera / Black aluminium washer	50.73.221.1	1
8	Boccola / Bush	50.73.381.1	2
9	Silentblock / Silentblock	50.73.380.1	1
10	dB Killer forato / Drilled dB killer	50.DK.126.0	1
11	Silenziatore / Muffler	MK3 Øi 66	1
12	Vite M8 x 16 / Screw M8 x 16	50.73.098.1	3
13	Rondella di sicurezza / Safety washer	50.73.604.1	3
14	Staffa / Bracket	50.SS.1116.0	1
15	Staffa / Bracket	50.SS.990.0	1
16	Molla media / Mid-size spring	50.73.359.1	5
17	Tubo in gomma per molla / Rubber pipe for spring	50.73.210.1	3



OPTIONAL PART

SWITCH-OFF KEY
Cod. ACC.101.0



APPLICAZIONI / APPLICATIONS			
CODICE / CODE	SILENZIATORE / MUFFLER	LOGO	TUBO / PIPE
K.058.SM3C	CARBONIO / CARBON FIBER	ETICHETTA ALLUMINIO / ALUMINIUM LABEL	INOX / ST. STEEL
K.058.SM3X	INOX / ST. STEEL	LASER	