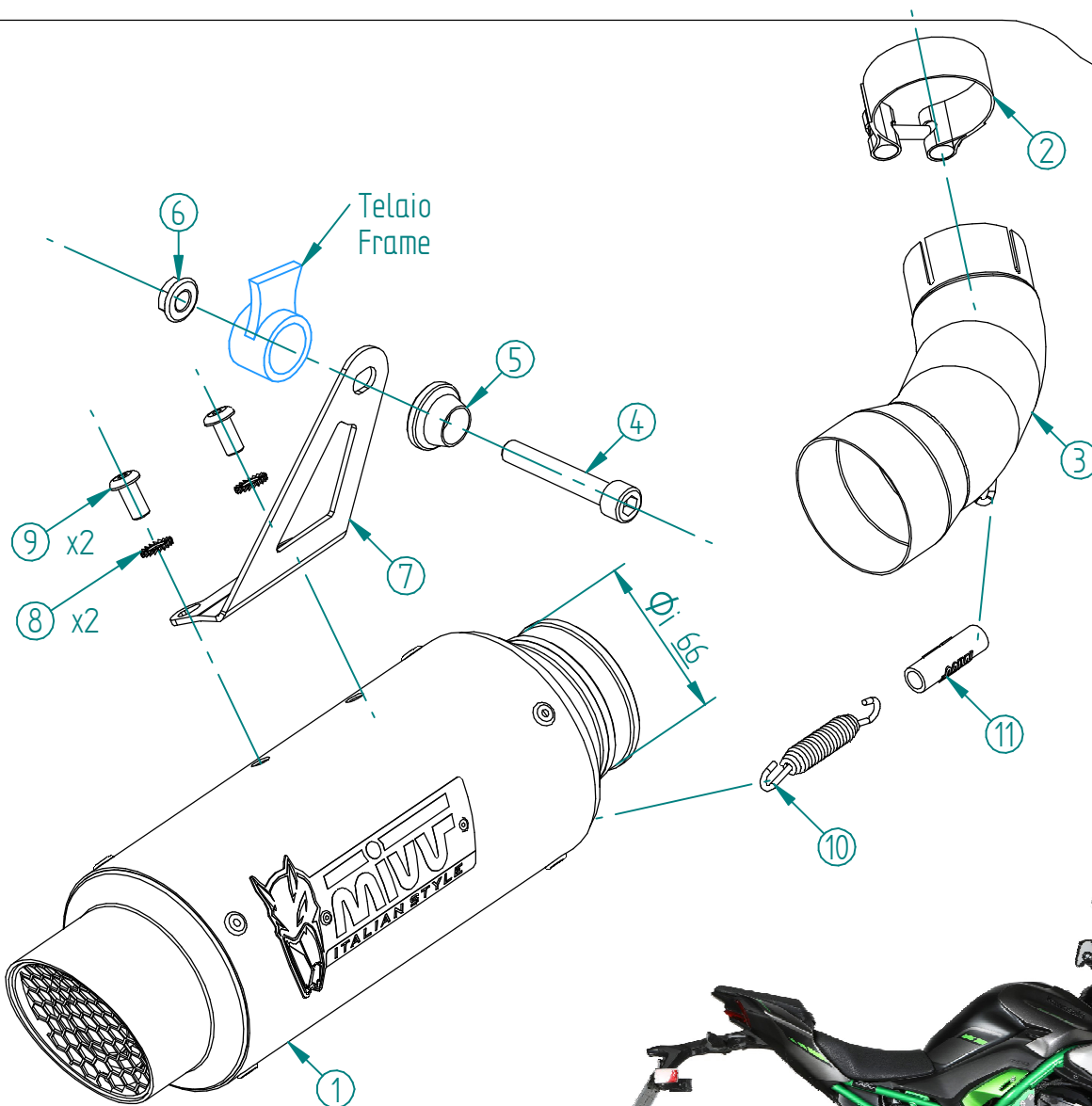
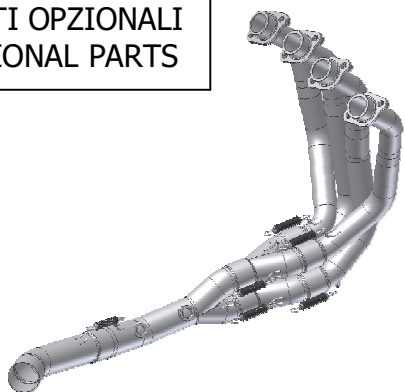


#	DESCRIPTION	PART NUMBER	QTY
1	Silenziatore / Muffler db killer 50.DK.125.0	GP PRO 220	1
2	Fascetta Ø 52/55 mm / Pipe clamp Ø 52/55 mm	50.FA.008.1	1
3	Tubo di raccordo / Link pipe	9773K045S2P	1
4	Vite M10x60 / Screw M10x60	50.73.135.1	1
5	Rondella in alluminio nera / Black aluminium washer	50.73.330.1	1
6	Dado M10 flangiato / Flanged nut M10	50.73.332.1	1
7	Staffa / Bracket	50.SS.1018.0	1
8	Rondella di sicurezza / Safety washer	50.73.604.1	2
9	Vite M8 x 16 / Screw M8 x 16	50.73.098.1	2
10	Molla media / Mid-size spring	50.73.359.1	1
11	Tubo in gomma per molla / Rubber pipe for spring	50.73.210.1	1



PARTI OPZIONALI OPTIONAL PARTS



IMPIANTO ELIMINA KAT / NO KAT PIPE
00.73.K.062.C1



COVER IN ACCIAIO / STEEL COVER
50.CR.037.0

APPLICAZIONI / APPLICATIONS			
CODICE / CODE	SILENZIATORE / MUFFLER	LOGO	TUBO / PIPE
K.062.L2P	CARBONIO / CARBON FIBER	ALUMINIUM LABEL	INOX / ST. STEEL
K.062.LXBP	STEEL BLACK	LASER	