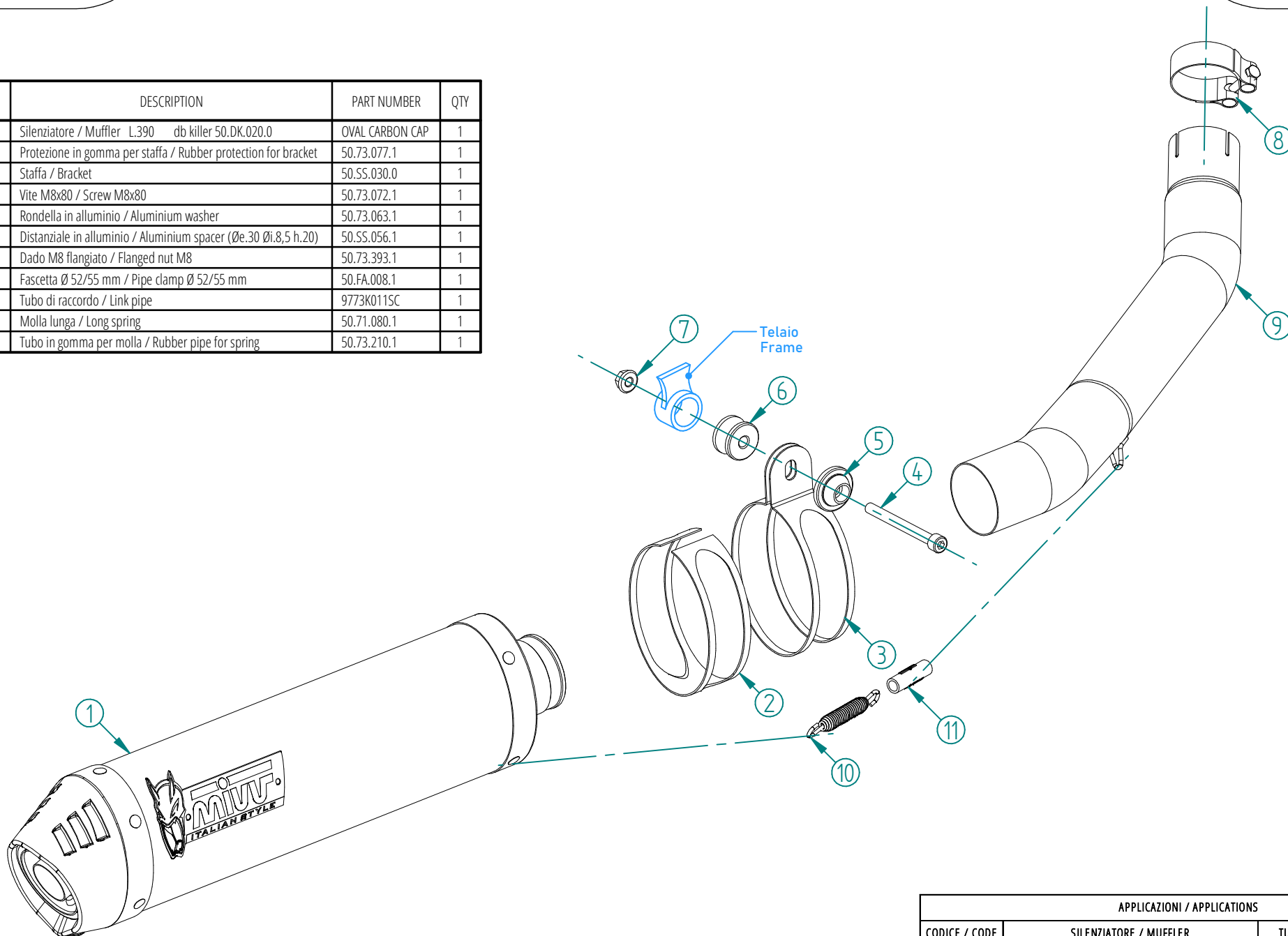


#	DESCRIPTION	PART NUMBER	QTY
1	Silenziatore / Muffler L.390 db killer 50.DK.020.0	OVAL CARBON CAP	1
2	Protezione in gomma per staffa / Rubber protection for bracket	50.73.077.1	1
3	Staffa / Bracket	50.55.030.0	1
4	Vite M8x80 / Screw M8x80	50.73.072.1	1
5	Rondella in alluminio / Aluminium washer	50.73.063.1	1
6	Distanziale in alluminio / Aluminium spacer (Øe.30 Øi.8,5 h.20)	50.55.056.1	1
7	Dado M8 flangiato / Flanged nut M8	50.73.393.1	1
8	Fascetta Ø 52/55 mm / Pipe clamp Ø 52/55 mm	50.FA.008.1	1
9	Tubo di raccordo / Link pipe	9773K011SC	1
10	Molla lunga / Long spring	50.71.080.1	1
11	Tubo in gomma per molla / Rubber pipe for spring	50.73.210.1	1



APPLICAZIONI / APPLICATIONS			
CODICE / CODE	SILENZIATORE / MUFFLER	TUBO / PIPE	FASCETTA / CLAMP
K.011.L3C	CARBONIO (COPPA CARBONIO) / CARBON (CARBON CAP)	INOX / ST. STEEL	INOX / ST. STEEL