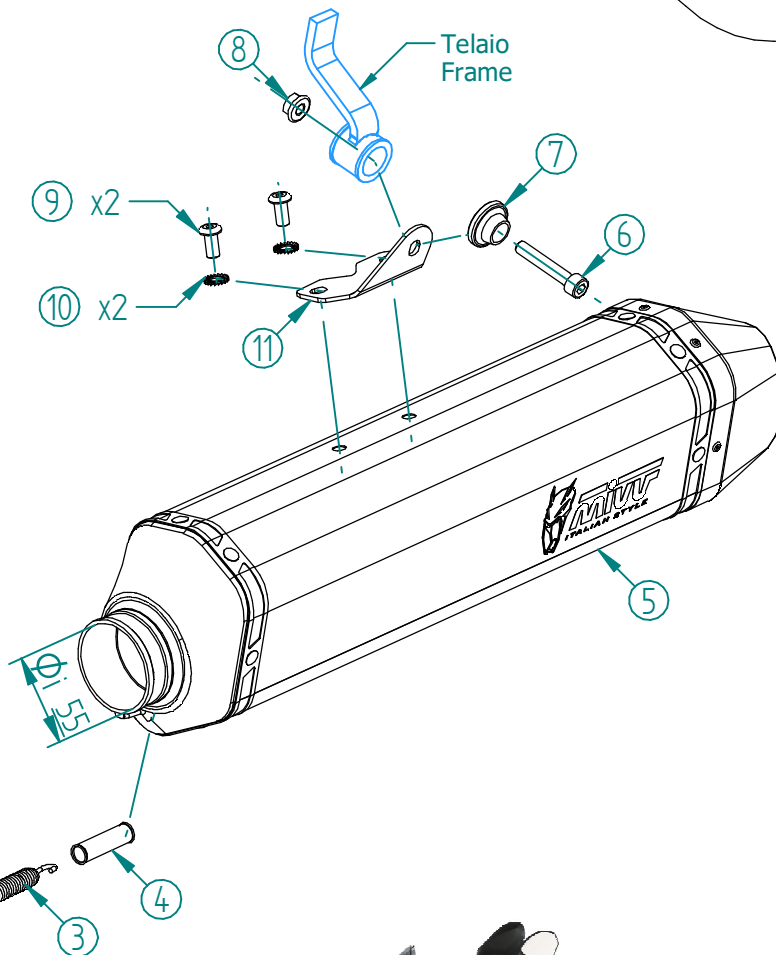


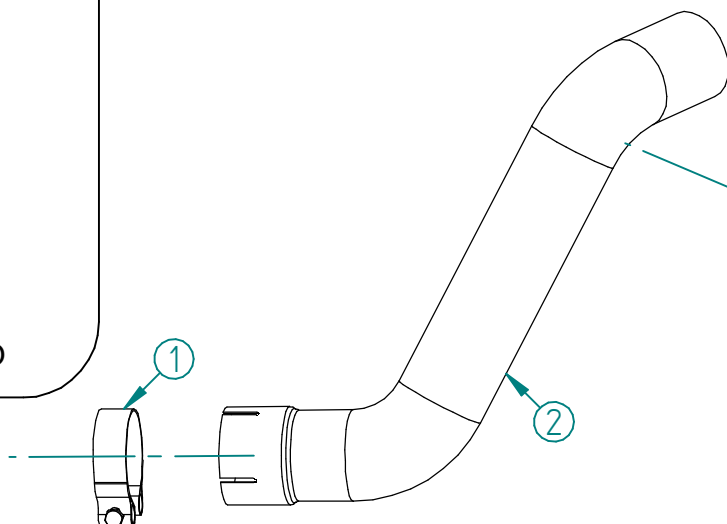
#	DESCRIPTION	PART NUMBER	QTY
1	Fascetta Ø 56/59 mm / Pipe clamp Ø 56/59 mm	50.FA.009.1	1
2	Tubo di raccordo / Link pipe	9773M013SE	1
3	Molla media / Mid-size spring	50.73.359.1	1
4	Gommino per molla / Rubber pipe	50.73.210.1	1
5	Silenziatore / Muffler db killer 50.DK.067.0	SPEED EDGE 400	1
6	Vite M8x45 / Screw M8x45	50.73.602.1	1
7	Rondella in alluminio nera / Black aluminium washer	50.73.221.1	1
8	Dado M8 flangiato / Flanged nut M8	50.73.393.1	1
9	Vite M8 x 16 / Screw M8 x 16	50.73.098.1	2
10	Rondella di sicurezza / Safety washer	50.73.604.1	2
11	Staffa / Bracket	50.SS.1184.0	



**OPTIONAL PART**



00.73.ACC.072.0  
COVER IN CARBONIO  
CARBON FIBER HEAT SHIELD



APPLICAZIONI / APPLICATIONS

CODICE / CODE	SILENZIATORE / MUFFLER	TUBO / PIPE	FASCETTA / CLAMP
M.013.LRX	INOX ( coppa carbonio ) / ST. STEEL ( carbon cap )	INOX / ST. STEEL	///
M.013.LRB	INOX NERO ( coppa carbonio ) / STEEL BLACK ( carbon cap )		