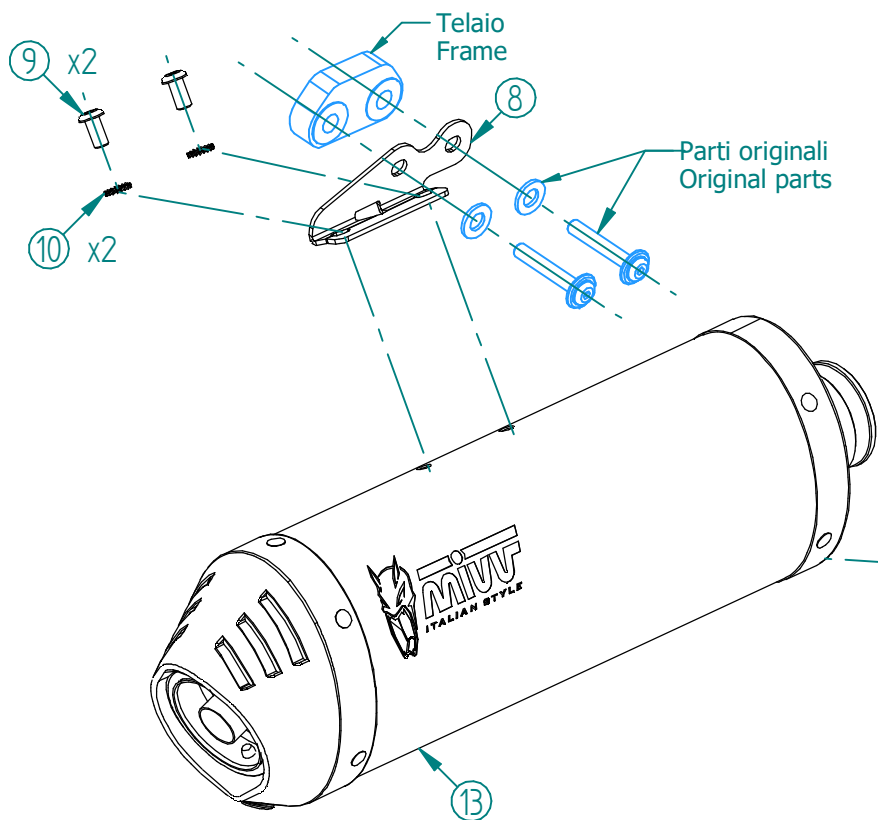
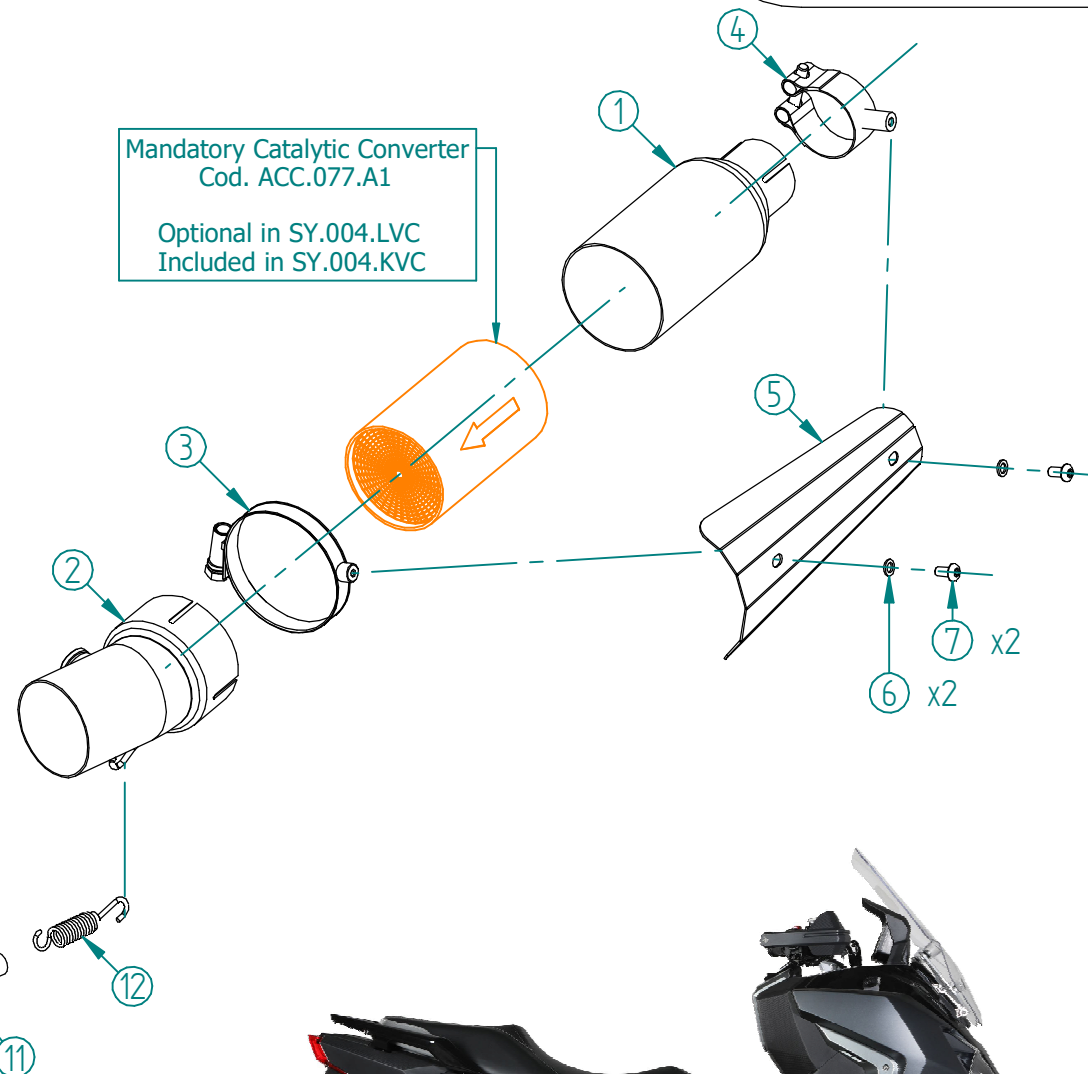


#	DESCRIPTION	PART NUMBER	QTY
1	Tubo di raccordo / Link pipe	9773SY004SEA	1
2	Tubo di raccordo / Link pipe	9773SY004SEB	1
3	Fascetta Ø 48/68 mm / Clamp Ø 48/68 mm	50.73.1118.0	1
4	Fascetta Ø 40/43 mm / Clamp Ø 40/43 mm	50.73.1119.0	1
5	Carter paracalore / Heat shield cover	50.CR.071.0	1
6	Rondella M5 / Washer M5	50.73.351.1	2
7	Vite M5 x 8 / Screw M5 x 8	50.73.459.1	2
8	Staffa / Bracket	50.SS.1552.0	1
9	Vite M8 x 16 / Screw M8 x 16	50.73.098.1	2
10	Rondella di sicurezza / Safety washer	50.73.604.1	2
11	Tubo in gomma per molla / Rubber pipe for spring	50.73.210.1	1
12	Molla corta / Short Spring	50.73.123.1	1
13	Silenziatore / Muffler - db killer 50.DK.021.0	OVAL CARBON CAP 360	1



Mandatory Catalytic Converter
Cod. ACC.077.A1

Optional in SY.004.LVC
Included in SY.004.KVC



APPLICAZIONI / APPLICATIONS			
CODICE / CODE	SILENZIATORE / MUFFLER	TUBO / PIPE	NOTE
SY.004.LVC			CATALYTIC CONVERTER NOT INCLUDED
SY.004.KVC	STEEL BLACK	INOX / ST. STEEL	CATALYTIC CONVERTER INCLUDED

