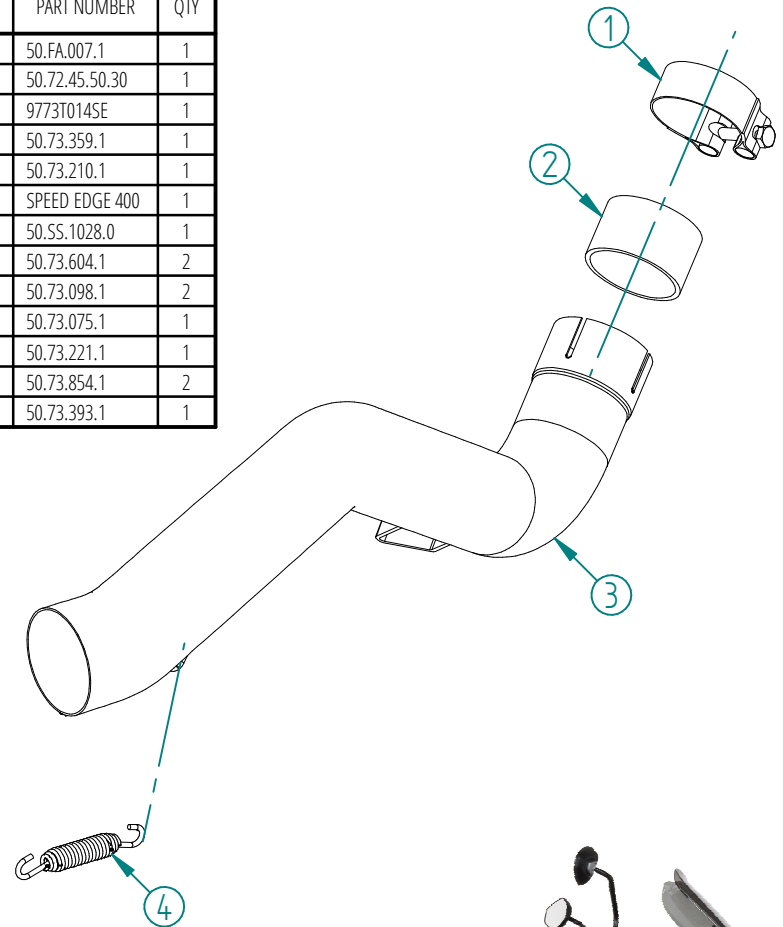
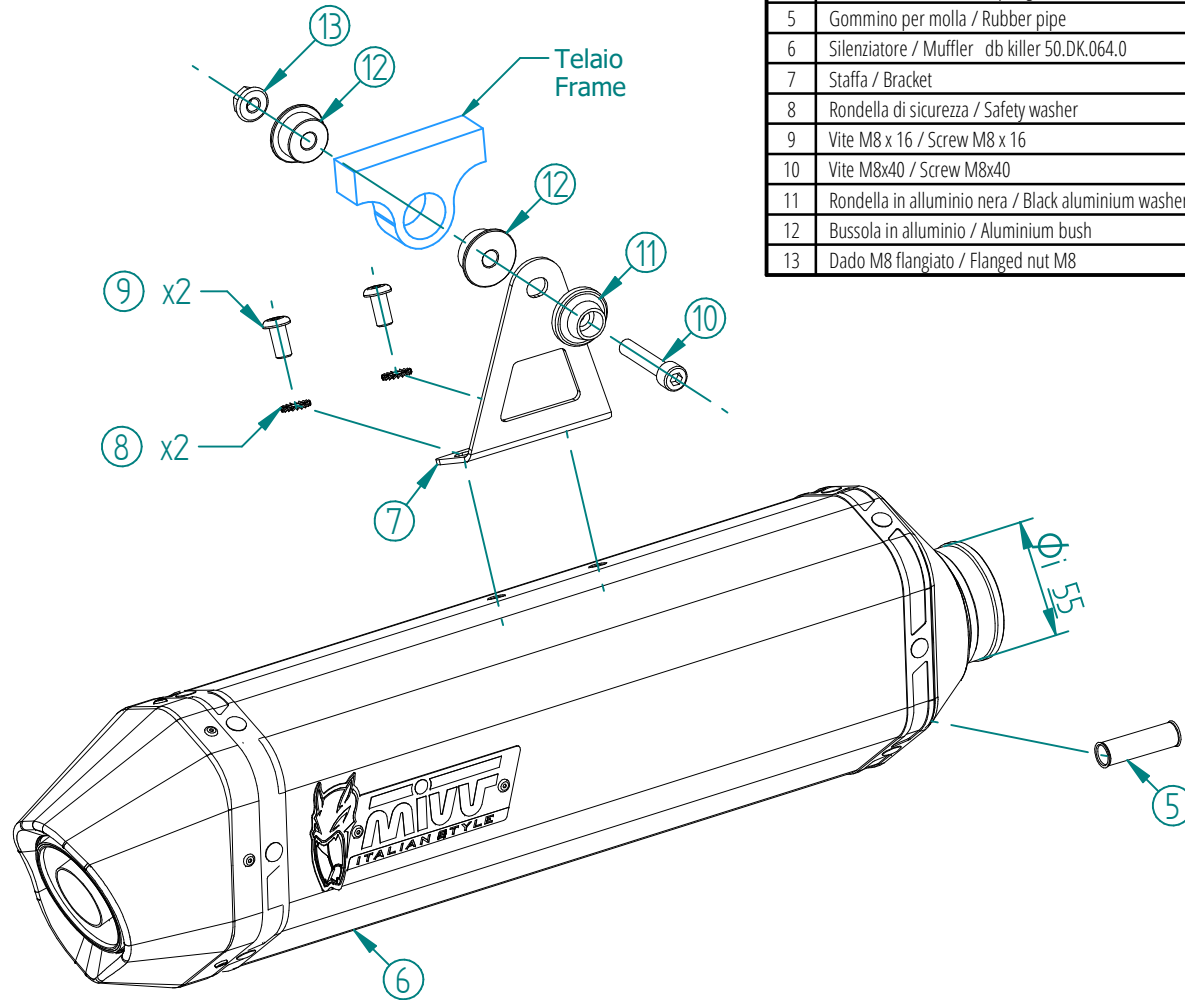


| # | DESCRIPTION | PART NUMBER | QTY |
|----|---|----------------|-----|
| 1 | Fascetta Ø 48/51 mm / Pipe clamp Ø 48/51 mm | 50.FA.007.1 | 1 |
| 2 | Guarnizione in grafite / Graphite bush | 50.72.45.50.30 | 1 |
| 3 | Tubo di raccordo / Link pipe | 9773T014SE | 1 |
| 4 | Molla media / Mid-size spring | 50.73.359.1 | 1 |
| 5 | Gommino per molla / Rubber pipe | 50.73.210.1 | 1 |
| 6 | Silenziatore / Muffler db killer 50.DK.064.0 | SPEED EDGE 400 | 1 |
| 7 | Staffa / Bracket | 50.SS.1028.0 | 1 |
| 8 | Rondella di sicurezza / Safety washer | 50.73.604.1 | 2 |
| 9 | Vite M8 x 16 / Screw M8 x 16 | 50.73.098.1 | 2 |
| 10 | Vite M8x40 / Screw M8x40 | 50.73.075.1 | 1 |
| 11 | Rondella in alluminio nera / Black aluminium washer | 50.73.221.1 | 1 |
| 12 | Bussola in alluminio / Aluminium bush | 50.73.854.1 | 2 |
| 13 | Dado M8 flangiato / Flanged nut M8 | 50.73.393.1 | 1 |



| APPLICAZIONI / APPLICATIONS | | |
|-----------------------------|------------------------|------------------|
| CODICE / CODE | SILENZIATORE / MUFFLER | TUBO / PIPE |
| T.017.LRB | STEEL BLACK | INOX / ST. STEEL |
| T.017.LRX | INOX / ST. STEEL | |