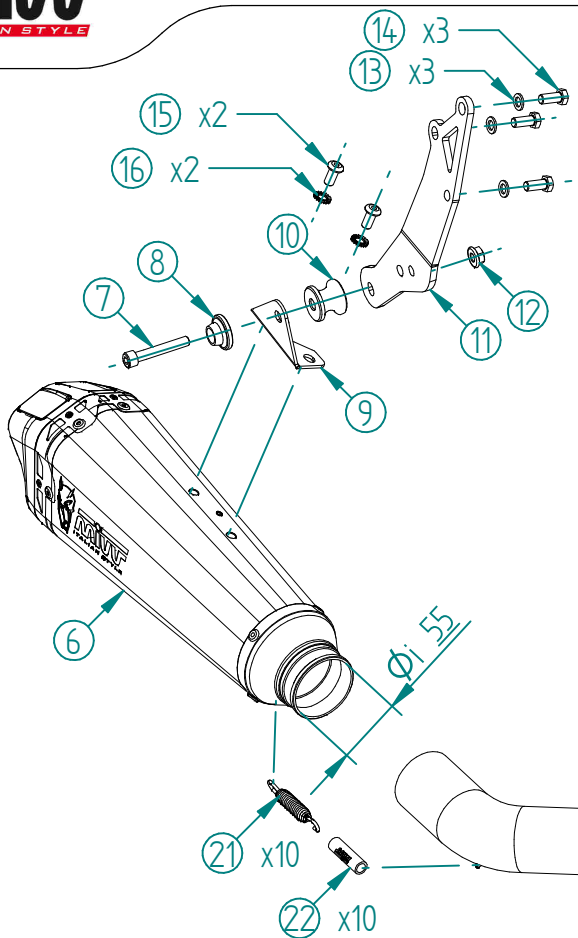


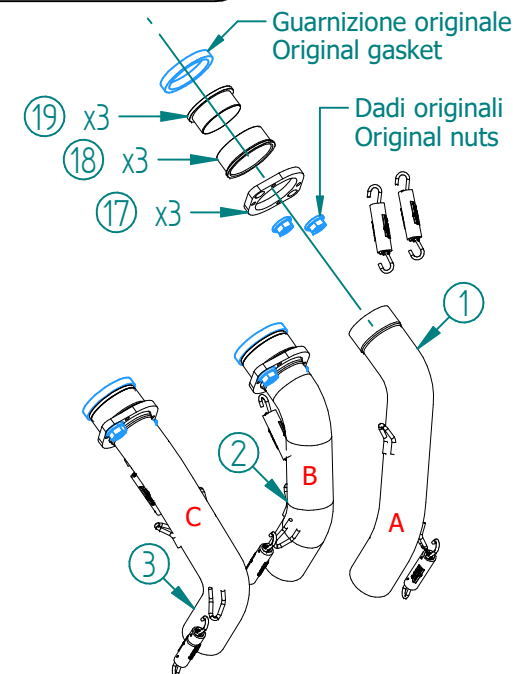
OPTIONAL PART



SWITCH-OFF KEY
Cod. ACC.101.0



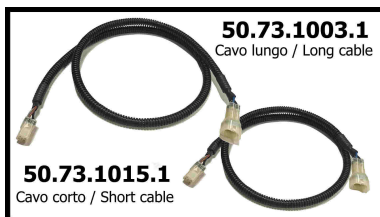
#	DESCRIPTION	PART NUMBER	QTY
1	Collettore #1 / Down pipe #1	9773Y066S2A	1
2	Collettore #2 / Down pipe #2	9773Y081S2B	1
3	Collettore #3 / Down pipe #3	9773Y066S2C	1
4	Tubo di raccordo 3-1 / Link pipe 3-1	9773Y078S2D	1
5	Tubo di raccordo / Link pipe	9773Y081S2E	1
6	Silenziatore / Muffler - db killer 50.DK.128.0	Delta Race Ø55	1
7	Vite M8x50 / Screw M8x50	50.73.074.1	1
8	Rondella in alluminio nera / Black aluminium washer	50.73.221.1	1
9	Staffa / Bracket	50.SS.1324.0	1
10	Distanziale in alluminio / Aluminium spacer (Øe.30 Øi.8,5 h.25)	50.SS.055.1	1
11	Staffa / Bracket	50.SS.1290.0	1
12	Dado M8 flangiato / Flanged nut M8	50.73.393.1	2
13	Rondella M8 / Washer M8	50.73.270.1	3
14	Vite M8 x 18 / Screw M8 x 18	50.73.417.1	3
15	Vite M8 x 16 / Screw M8 x 16	50.73.098.1	2
16	Rondella di sicurezza / Safety washer	50.73.604.1	2
17	Flangia in alluminio / Aluminium flange	50.73.339.1	3
18	Boccola esterna in acciaio / External steel bush	50.73.338.1	3
19	Boccola interna in acciaio / Internal steel bush	50.73.337.1	3
20	Molla lunga / Long spring	50.71.080.1	2
21	Molla media / Mid-size spring	50.73.359.1	10
22	Tubo in gomma per molla / Rubber pipe for spring	50.73.210.1	10



Mandatory Catalytic Converter
Cod. ACC.099.A1

Optional in Y.081.LDRB - LDRX
Included in Y.081.KDRB - KDRX

Parti originali
Original parts



Mivv fornisce 2 prolunghe di diversa misura per ricollegare i cavi sonda.
Mivv supplies two extensions of different lengths to reconnect the sensor cables.



APPLICAZIONI / APPLICATIONS			
CODICE / CODE	SILENZIATORE / MUFFLER	TUBO / PIPE	NOTE
Y.081.LDRB	STEEL BLACK	INOX / ST. STEEL	CATALYTIC CONVERTER NOT INCLUDED
Y.081.KDRB			CATALYTIC CONVERTER INCLUDED
Y.081.LDRX	INOX / ST. STEEL		CATALYTIC CONVERTER NOT INCLUDED
Y.081.KDRX			CATALYTIC CONVERTER INCLUDED