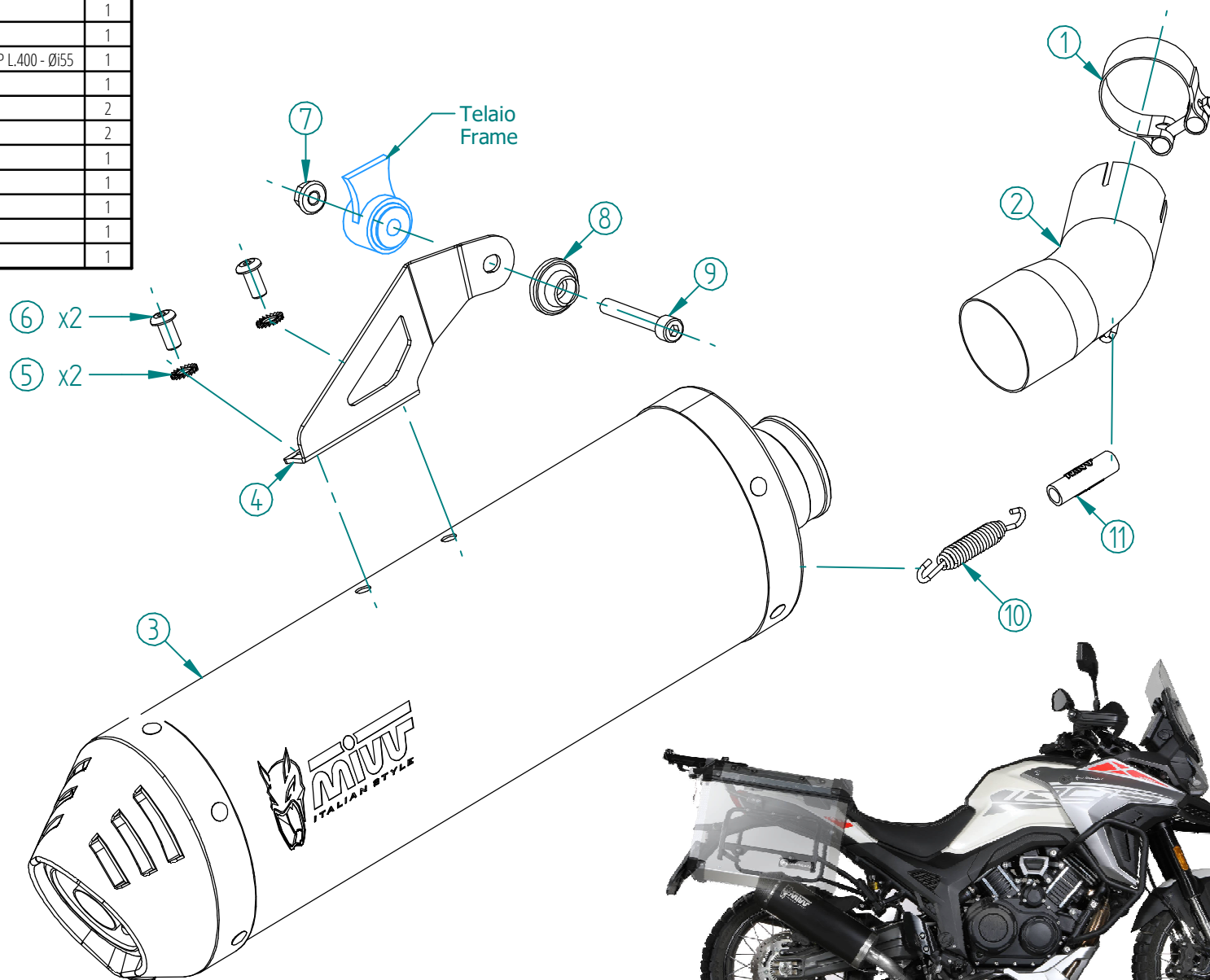


| # | DESCRIPTION | PART NUMBER | QTY |
|----|---|------------------------------|-----|
| 1 | Fascetta Ø 48/51 mm / Pipe clamp Ø 48/51 mm | 50.FA.007.1 | 1 |
| 2 | Tubo di raccordo / Link pipe | 9773MO001SE | 1 |
| 3 | Silenziatore / Muffler - db killer 50.DK.092.0 | OVAL CARBON CAP L.400 - Ø155 | 1 |
| 4 | Staffa / Bracket | 50.SS.1602.0 | 1 |
| 5 | Rondella di sicurezza / Safety washer | 50.73.604.1 | 2 |
| 6 | Vite M8 x 16 / Screw M8 x 16 | 50.73.098.1 | 2 |
| 7 | Dado M8 flangiato / Flanged nut M8 | 50.73.393.1 | 1 |
| 8 | Rondella in alluminio nera / Black aluminium washer | 50.73.221.1 | 1 |
| 9 | Vite M8x50 / Screw M8x50 | 50.73.074.1 | 1 |
| 10 | Molla media / Mid-size spring | 50.73.359.1 | 1 |
| 11 | Tubo in gomma per molla / Rubber pipe for spring | 50.73.210.1 | 1 |



APPLICAZIONI / APPLICATIONS

| CODICE / CODE | TUBO / PIPE | SILENZIATORE / MUFFLER |
|---------------|------------------|---|
| MO.001.LVC | INOX / ST. STEEL | INOX NERO (COPPA CARBONIO) / STEEL BLACK (CARBON CAP) |

