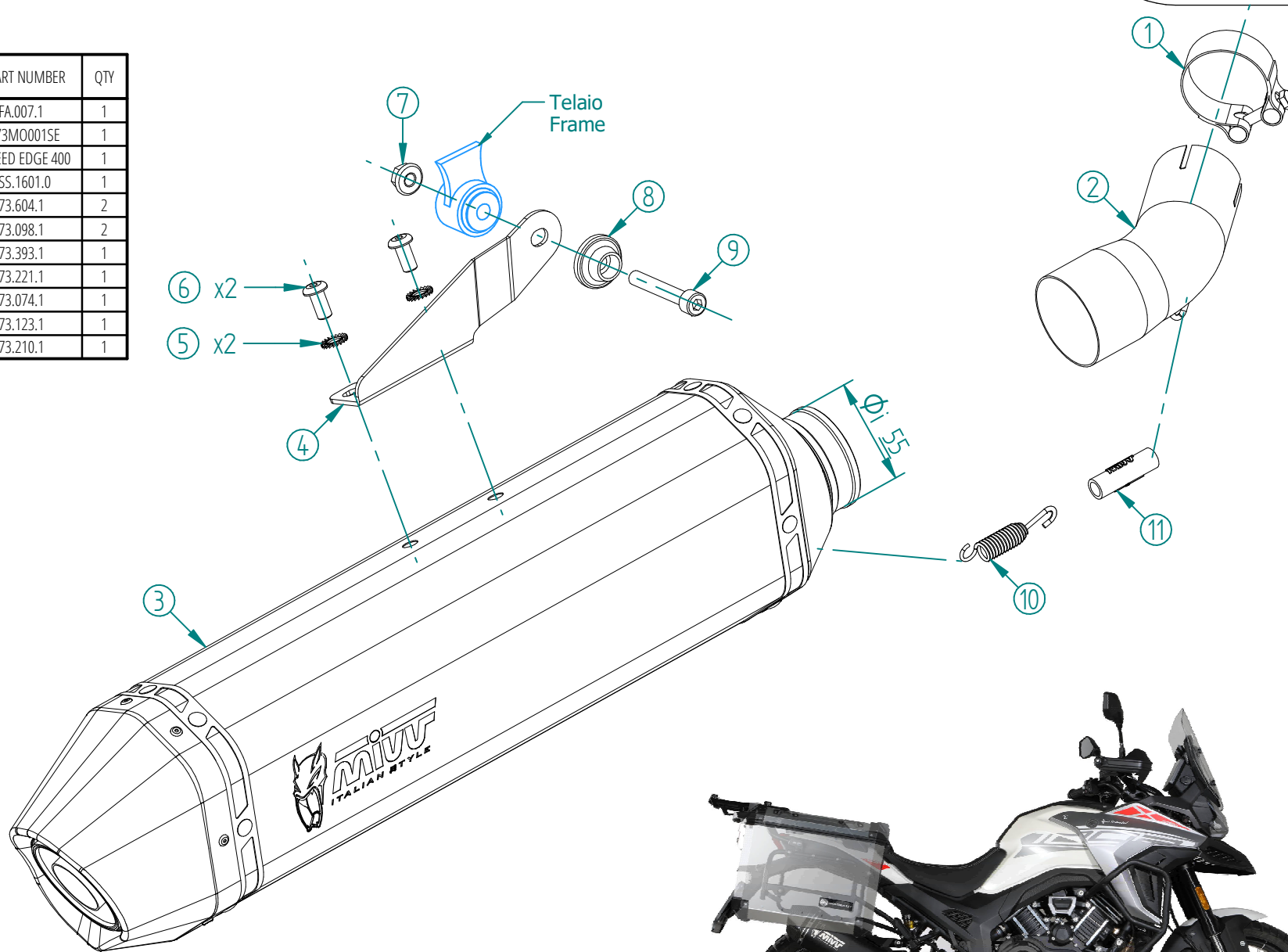


#	DESCRIPTION	PART NUMBER	QTY
1	Fascetta Ø 48/51 mm / Pipe clamp Ø 48/51 mm	50.FA.007.1	1
2	Tubo di raccordo / Link pipe	9773MO001SE	1
3	Silenziatore / Muffler - db killer 50.DK.064.0	SPEED EDGE 400	1
4	Staffa / Bracket	50.SS.1601.0	1
5	Rondella di sicurezza / Safety washer	50.73.604.1	2
6	Vite M8 x 16 / Screw M8 x 16	50.73.098.1	2
7	Dado M8 flangiato / Flanged nut M8	50.73.393.1	1
8	Rondella in alluminio nera / Black aluminium washer	50.73.221.1	1
9	Vite M8x50 / Screw M8x50	50.73.074.1	1
10	Molla corta / Short Spring	50.73.123.1	1
11	Tubo in gomma per molla / Rubber pipe for spring	50.73.210.1	1



APPLICAZIONI / APPLICATIONS		
CODICE / CODE	TUBO / PIPE	SILENZIATORE / MUFFLER
MO.001.LRB	INOX / ST. STEEL	INOX NERO (COPPA CARBONIO) / STEEL BLACK (CARBON CAP)

